

Makita[®]

4-1/2" & 5" INDUSTRIAL ANGLE GRINDERS

FEATURING MAKITA EXCLUSIVE SJS - SUPER JOINT SYSTEM

SJS Helps Prevent Gear Damage Caused by Accidental Wheel Binding

9.5 AMP Motor for Continuous Operation

All Metal Gear Housing for Added Protection

Protective Zig-Zag Varnish Seals Motor from Contaminants and Reduces Heat

Great for Welders, Fabricators, Installers, Pipe Fitters and many other Applications



MODELS

9564 (4-1/2")

9565 (5")



For more info, call 1-800-4MAKITA
makitatools.com

HEAVY DUTY



Labyrinth construction seals motor and bearings from contamination by creating a complex set of channels

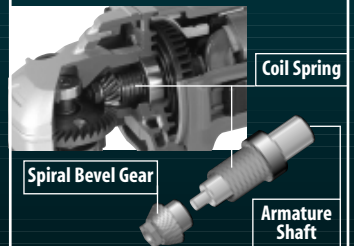
DURABILITY



Protective zig-zag varnish seals the motor from contamination by forming a barrier under rotation

INNOVATION

SJS - SUPER JOINT SYSTEM



The motor armature and the spiral bevel gear are connected by a coil spring. As the armature starts to rotate, the coil tightens around the spiral bevel gear, which drives the grinding wheel.

If the grinding wheel should accidentally catch or bind, the gears automatically disengage from the motor. SJS stops the wheel and helps prevent gear damage.

CONTINUOUS OPERATION

4-1/2" & 5" INDUSTRIAL ANGLE GRINDERS

Models 9564/9565

Features & Benefits

- SJS - Super Joint System helps prevent gear damage caused by accidental wheel binding
- 9.5 AMP motor design for high output power in a more compact tool
- All metal gear housing for added protection
- Larger and improved carbon brush material for longer tool life
- Protective zig-zag varnish seals motor from contaminants and reduces heat
- Labyrinth construction seals and protects the motor and bearings from dust and debris by creating a complex set of channels



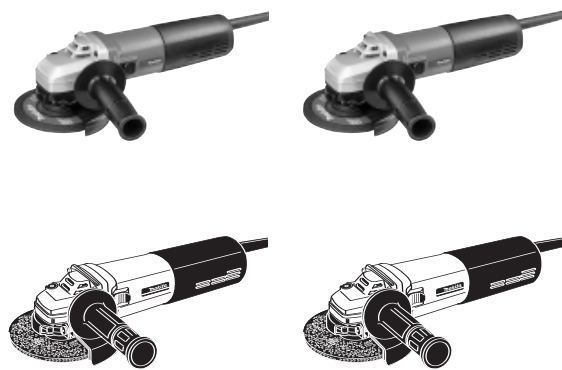
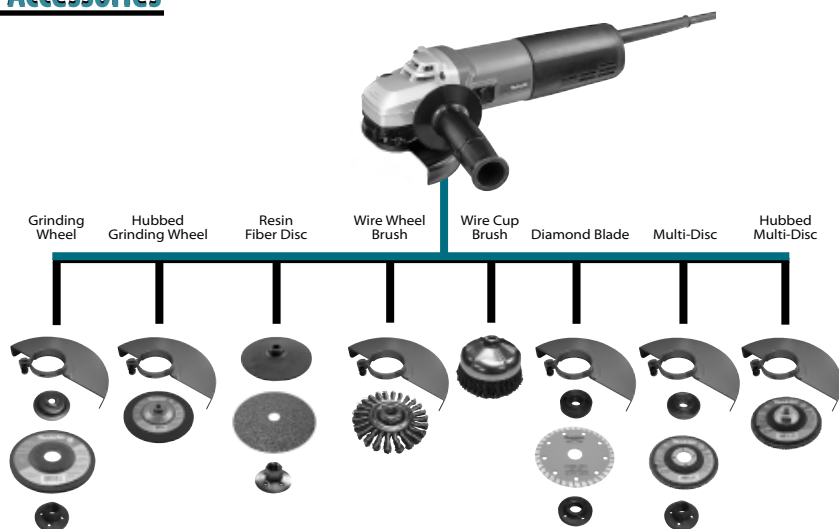
Specifications

Model	9564	9565
Grinding Wheel	4-1/2"	5"
Wire Cup Brush	3"	3-1/2"
Sanding Disc	4-1/2"	5"
No Load Speed	10,500 RPM	10,500 RPM
AMPS (120V)	9.5	9.5
Spindle Thread	5/8" - 11 UNC	5/8" - 11 UNC
Overall Length	11-3/4"	11-3/4"
Net Weight	4.0 lbs.	4.0 lbs.
Shipping Weight	7.7 lbs.	7.7 lbs.
UPC Code	088381-03465-4	088381-03466-1

Standard Equipment

- 9564**
- 4-1/2" Grinding Wheel (741424-8-1)
 - Wheel Guard (165053-7)
 - Lock Nut (193465-4)
 - Lock Nut Wrench (782412-6)
 - Side Handle (152490-4)
 - Inner Flange (224378-9)
- 9565**
- 5" Grinding Wheel (741407-B)
 - Wheel Guard (125097-9)
 - Lock Nut (193465-4)
 - Lock Nut Wrench (782412-6)
 - Side Handle (152490-4)
 - Inner Flange (224378-9)

Accessories



Model 9564

Model 9565



Warning: Consult owner/operator manual and adhere to all safety precautions for accessory items. Always use recommended guards. Failure to do so may result in serious injury or death. Refer to ANSI B7.1 and owner/operator manual for proper accessory mounting and grinding procedures and always wear ANSI Z87.1 eye protection.

Makita offers a wide variety of accessories for the 9564 & 9565 Industrial Angle Grinders. For a complete listing, please refer to the Makita General Catalog, or visit our website at makitatools.com, or call 1-800-4MAKITA.

All specifications subject to change without prior notice. All models and accessories subject to stock on hand.
TGF-0804-5M MA-0444-04 For more information, call 1-800-4MAKITA makitatools.com



Makita U.S.A., 14930 Northam St., La Mirada, CA 90638